

Compsystems NTC M6 Fast Fluid Temp Sensor



Brand: Competition Systems

Product Code: 60-006A

Availability: In Stock

Weight: 0.50kg

Dimensions: 15.00cm x 15.00cm x 2.00cm

Price: \$275.00

Short Description

Stainless steel body with a high accuracy/fast reaction NTC sensor element. Suitable for air, water, oil and fuel temperature measurement.

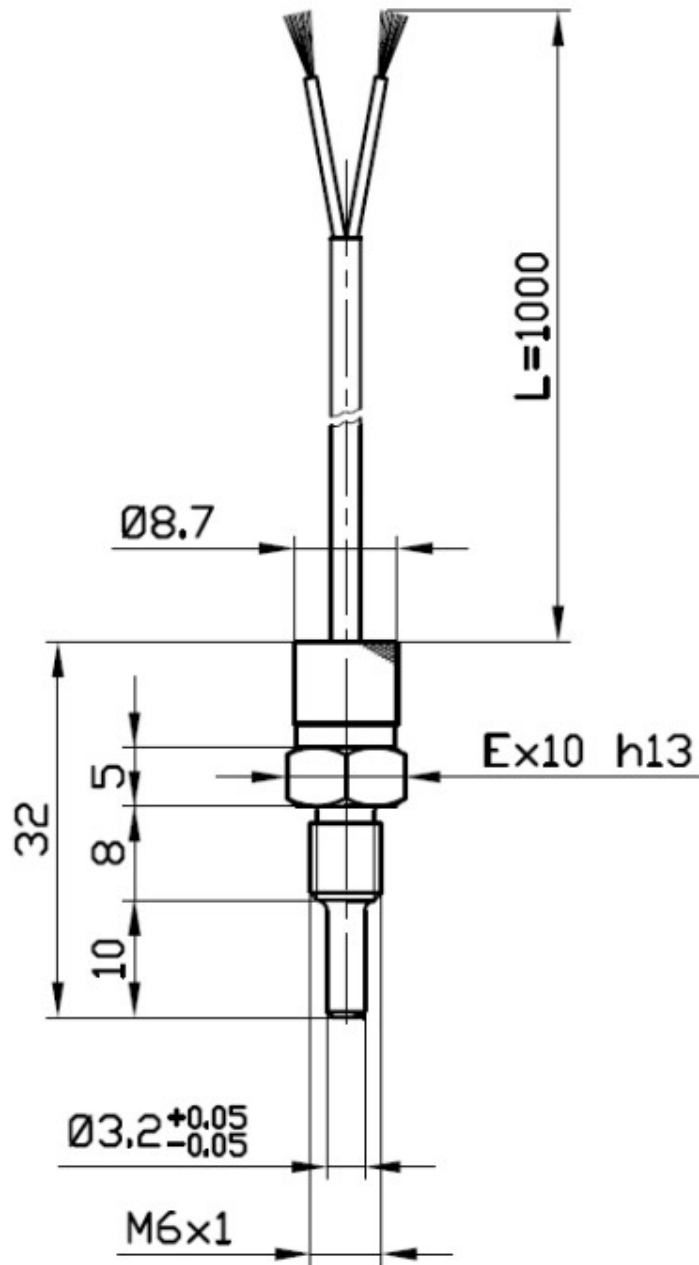
Comes with a 1000mm flying lead (M22759/32 cable) and DR heat shrink with heat shrink boot.

Description

Main Features

- AISI303 housing for improved mechanical strength
- Splash resistant to motorsport fluids
- Miniature sensing tip
- High strength M22759/32 wire leads
- High signal level
- Small dimensions
- Light weight

Technical Drawing



Dimensions in millimetres

