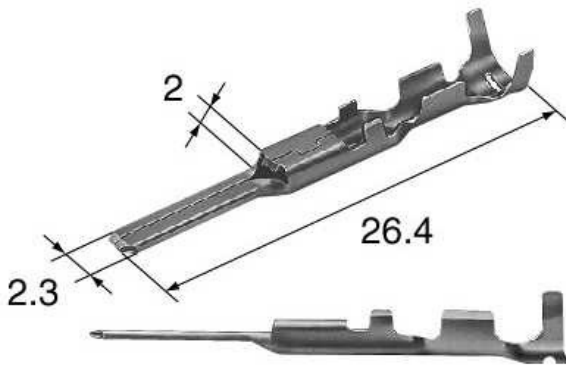


# Sumitomo DL/TL/SL Series Male Terminal 16-14AWG



**Brand:** Sumitomo  
**Product Code:** SUM8230-4552  
**Availability:** 7 Days  
**Weight:** 0.01kg  
**Dimensions:** 1.00cm x 1.00cm x 1.00cm

**Price: \$0.50**

100 or more \$0.39

## Short Description

Heat resistant copper alloy with tin plating male tab terminal. Suits 14 or 16AWG M22759 type wire and AV type automotive wire.

## Description

Heat resistant copper alloy with tin plating female terminal. Suits 22 or 20AWG M22759 type wire and AV type automotive wire.

Sealed/Unsealed	sealed
Male/Female	M
Tab Size	2.3mm(090)
Size	L
Mating parts	<a href="#">8100-1428</a> (DL sealed series/TL sealed series/SL sealed series) <a href="#">8240-4952</a> (HX sealed series)

Applicable wire size

1.25-2.0mm<sup>2</sup>

Materials

Brass

Surface treatment

Tin-plated

Contact resistance

Initial

3m? Max.

after durability tests

10m? Max.

Leak current

100?A Max.

Insulation resistance

100M? Min.