

# Bosch Liquid Pressure/Temp combined Sensor, 10 bar & 140 deg C



**Brand:** Bosch Motorsport

**Product Code:** BOS0261230482

**Availability:** 7 Days

**Weight:** 0.08kg

**Dimensions:** 10.00cm x 5.00cm x 5.00cm

**Price: \$148.50**

## Short Description

- Combined Temperature and Pressure sensor. Two sensors in one
- 0 - 10.0 bar (145psi) Pressure Sensor for liquid
- -40 - 140 deg C Temperature sensor for liquid
- Bosch Trapez 4-pin connector
- 45degree cone seat, M10x1 fitting
- Suitable for Diesel, gasoline, water, engine oil, transmission oil

## Specifications



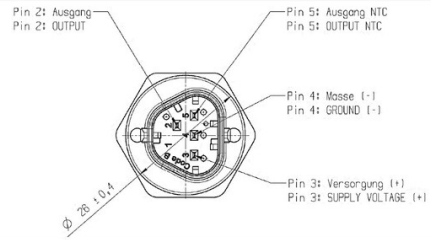
# Liquid Press/Temp combined Sensor

0 261 230 482

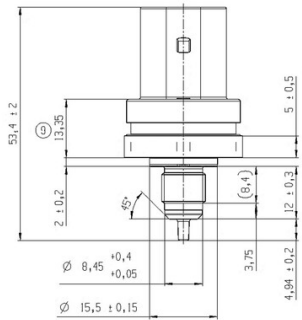


- 0 - 10.0 bar Pressure sensor for liquid
- -40 - 140°C Temperature sensor for liquid
- 45° cone seat, M10x1 fitting
- Bosch Trapez 4-pin connector
- Suitable for diesel, gasoline, water, engine oil, transmission oil

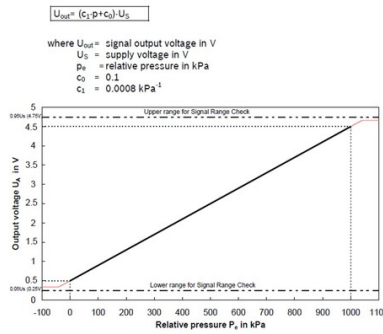
### Pinout



### Dimensions



### Characteristic Data



Temp. T in °C	Resistance R in Ω	Temp. T in °C	Resistance R in Ω
-40	44864	55	698.5
-35	33676	60	594
-30	25524	65	507.2
-25	19525	70	434.9
-20	15067	75	374.3
-15	11724	80	323.4
-10	9195	85	280.4
-5	7266	90	244
0	5784	95	213
5	4636	100	186.6
10	3740	105	164
15	3037	110	144.5
20	2480	115	127.8
25	2038	120	113.3
30	1683	125	100.7
35	1398	130	89.8
40	1167	135	80.2
45	978.9	140	71.9
50	825		

Output characteristic of Temperature sensor

### Installation Notes

Mating Connector : F 02U B00 751-01

Installation torque : 37.5 ± 2.5 Nm | Mount with orifice pointing downwards : 0 to ± 45° from vertical | Supply voltage : 5.0 ± 0.25 V

## Product Gallery



