

Magneti Marelli WTS05 Fluid Temperature Sensor



Brand: Magneti Marelli

Product Code: WTS05

Availability: In Stock

Weight: 0.10kg

Dimensions: 6.00cm x 2.00cm x 2.00cm

Price: \$49.50

Short Description

The WTS05 is a rugged, low cost fluid temperature sensor with an NTC type element and 2 pin Junior Timer connector.

Description

Main Features

- High Signal Level
- Fast response time
- Mini Timer connector

• Typical Applications

Water, oil and fuel temperature measurement

- Ducati models

Technical Characteristics

Resistance (at 25DegC).....3kohm

Input voltage.....5V

Accuracy from nominal values....5% (from -40C to 125C)

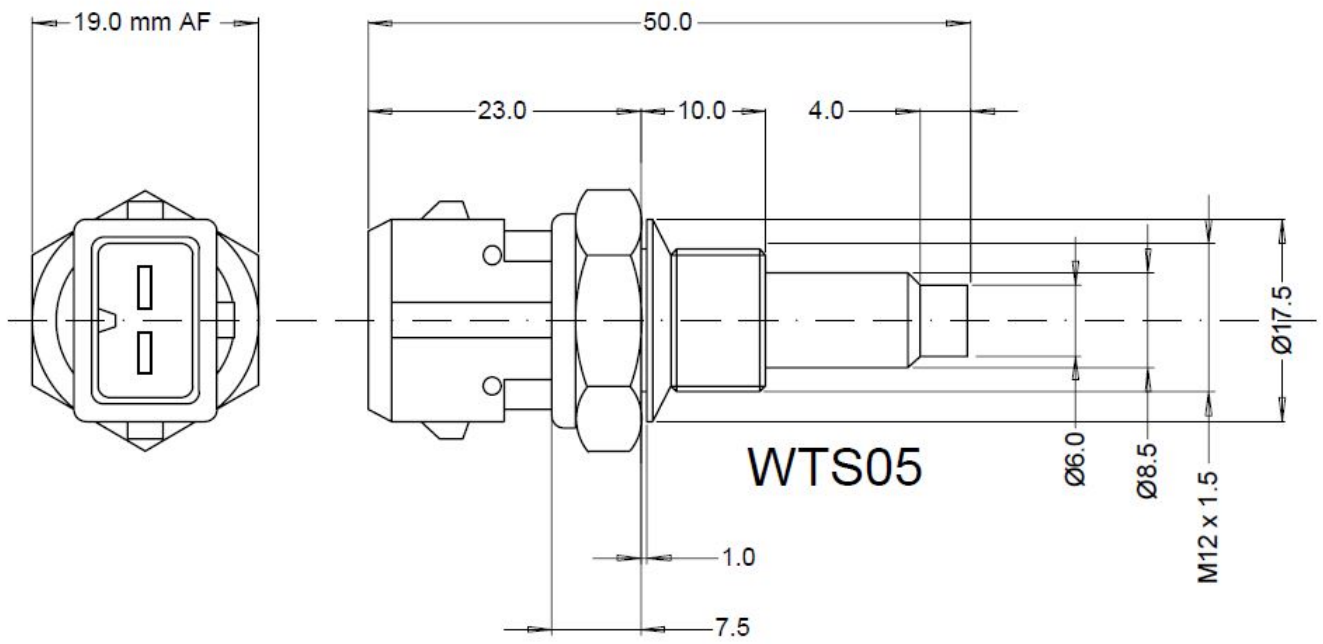
Weight.....26 grams

Calibration

Temperature (Deg C)	Resistance (ohm)	Voltage (1K Pullup)
-40	100950	4.965
-30	53100	4.908
-20	29120	4.834
-10	16600	4.716
0	9750	4.535
10	5970	4.283
20	3750	3.947
30	2420	3.538
40	1600	3.077
50	1080	2.596
60	750	2.143
70	530	1.732
80	380	1.377
90	280	1.094
100	204	0.833
110	153	0.652
120	102	0.455

[Emtron KV and SL Series Calibration File](#)

Technical Drawing



Applications

Ducati Part No. 552.401.31A

- Monster
- Supersport
- Superbikes, 748,916,996,998,1098,848,1198,Desmosedici
- Hypermotard
- Sport classic
- Streetfighter