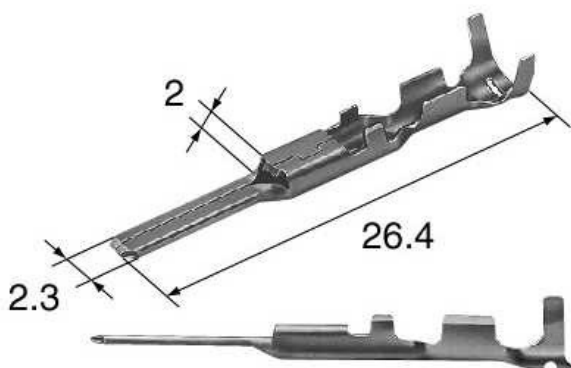


# Sumitomo DL/TL/SL Series Male Terminal 22-20AWG



**Brand:** Sumitomo  
**Product Code:** SUM8230-4472  
**Availability:** 7 Days  
**Weight:** 0.01kg  
**Dimensions:** 1.00cm x 1.00cm x 1.00cm

**Price: \$0.50**

100 or more \$0.39

## Short Description

Heat resistant copper alloy with tin plating male tab terminal. Suits 22 or 20AWG M22759 type wire and AV type automotive wire.

## Description

Heat resistant copper alloy with tin plating female terminal. Suits 22 or 20AWG M22759 type wire and AV type automotive wire.

Sealed/Unsealed	sealed
Male/Female	M
Tab Size	2.3mm(090)
Size	S
Mating parts	8100-1427(DL sealed series/TL sealed series/SL sealed series) 8240-4862(HX sealed series)
Applicable wire size	0.3-0.5mm <sup>2</sup>
Materials	Brass
Surface treatment	Tin-plated

Contact resistance

Initial

3m? Max.

after durability tests

10m? Max.

Leak current

100?A Max.

Insulation resistance

100M? Min.