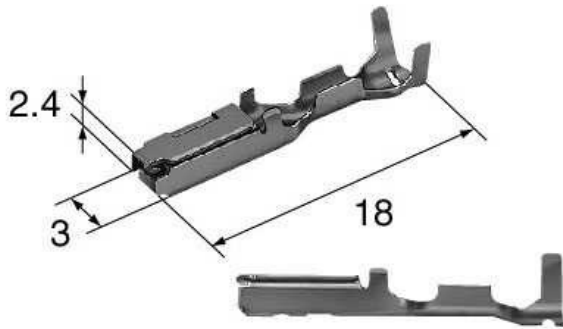


Sumitomo DL/TL/SL Series Female Terminal 22-20AWG



Brand: Sumitomo
Product Code: SUM8100-1427
Availability: 7 Days
Weight: 0.01kg
Dimensions: 1.00cm x 1.00cm x 1.00cm

Price: \$0.50

100 or more \$0.39

Short Description

Heat resistant copper alloy with tin plating female terminal. Suits 22 or 20AWG M22759 type wire and AV type automotive wire.

Description

Heat resistant copper alloy with tin plating female terminal. Suits 22 or 20AWG M22759 type wire and AV type automotive wire.

Sealed/Unsealed	sealed
Male/Female	F
Tab Size	2.3mm(090)
Size	S
Mating parts	8230-4472(DL sealed series/HX sealed series/TL sealed series/SL sealed series)
Applicable wire size	0.3-0.5mm ²
Materials	Heat-resistant copper alloy
Surface treatment	Tin-plated

Contact resistance

Initial

3m? Max.

after durability tests

10m? Max.

Leak current

100?A Max.

Insulation resistance

100M? Min.