

Sealed Push Button Switch



Brand: Otto Controls
Product Code: MCPAS6
Availability: 7 Days
Weight: 0.05kg
Dimensions: 8.00cm x 3.00cm x 3.00cm

Price: \$15.95

Short Description

The MCPAS6 series of sealed push button switches are nice and small with million cycle rated reliability.

Description

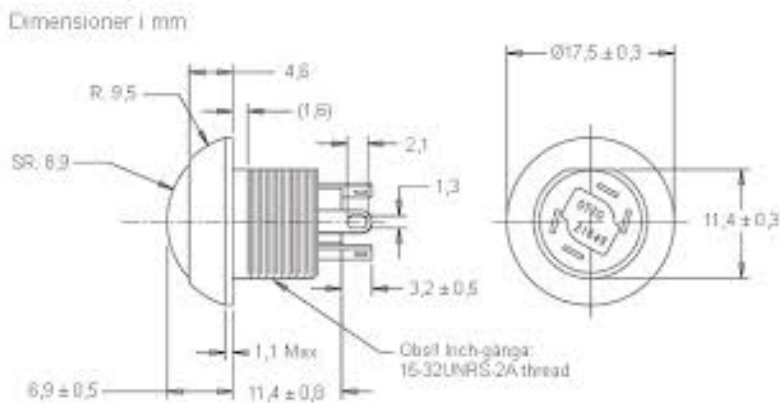
The MCPAS6 is a single-pole single-throw Pushbutton Switch with solder lug terminations, anti-rotation threaded bushing, gold-plated cover silver contact, epoxy (standard) seal, flat plunger top allowing marking and a choice of coloured caps.

Features

- Attractive dome style button

- Two button heights
- Double break or shorting bar, momentary action
- All plastic housing & button construction
- Threaded body or snap-in panel mounting
- Withstands extreme shock & vibration
- Positive tactile feedback contact transfer on snap-action models
- Solder, PC Pin & 0.110 Quick Connect terminal styles
- Moistureproof & dusttight to IP64 or watertight to IP68S
- UL recognized & CSA certified
- RoHS/WEEE/Reach compliant

Drawing



Product Gallery



