

Bosch Motorsport EV14 Fuel Injector 970cc Short Body/Long Nose



Brand: Bosch Motorsport
Product Code: BOS0280158040
Availability: In Stock
Weight: 0.03kg
Dimensions: 10.00cm x 3.00cm x 3.00cm

Price: \$126.50

Short Description

These short bodied injectors flow an amazing 970cc/min at 3 bar and can run at pressures up to 8 bar.

Description

EV 14 is designed for a wide range of flow rates and spray patterns. Compact size and three standard versions simplify mounting in a variety of applications.

EV 14 injection valves are the latest revision of the EV 6 injection valve technology. EV 14 xT are the latest revision of the EV 12.

Technical Specifications

Mechanical Data

System pressure Max. 8 bar

Weight ? 30 g

Installation length 33.6mm

Fuel input Top-feed injector

Operating temperature -40 to 110°C

Permissible fuel temperatures ? 70°C

Climate-proof corresponding to saline fog test DIN 50 021

Housing design Compact (C)

Spray type C (Conical Spray)

Flow rate at 3 bar (n-heptane) 670g/min or 983cc/min

Spray Angle

Coil resistance 16ohms

Fuel compatiability Petrol/E85/Methanol

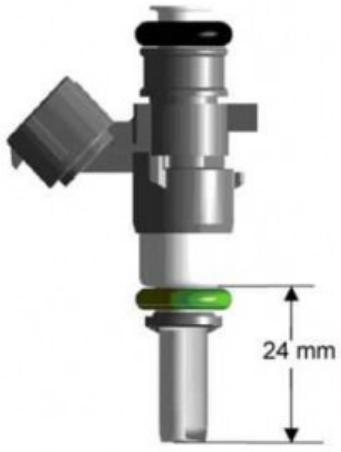
Power supply 6 to 16.5 V

Connector AMP Junior Time 2 Pin AMP827551-3

Notes

After Methanol-operating the valves must be flushed with normal gasoline-fuel

Product Gallery



**EV 14 xT
with Extension**

