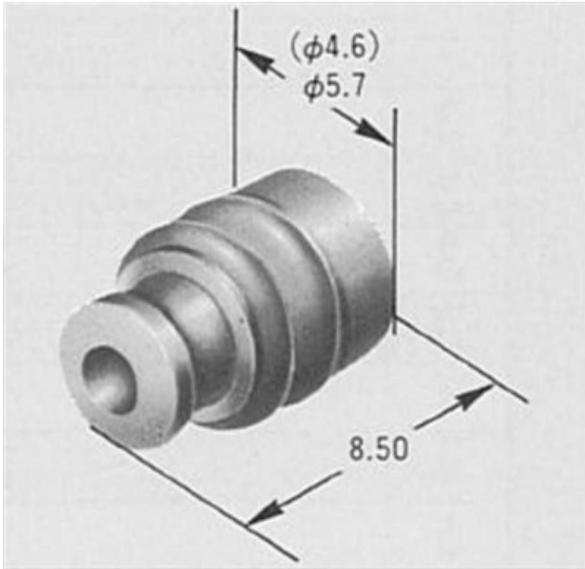


090II Connectors Terminal Female 20-24AWG Copy



Brand: Yazaki

Product Code: YAZ7158-3006-90

Availability: 7 Days

Weight: 0.01kg

Dimensions: 5.00cm x 2.00cm x 2.00cm

Price: \$1.05

Short Description

Wire seal for 090II connectors using 20-24AWG wire. Dark Blue colour